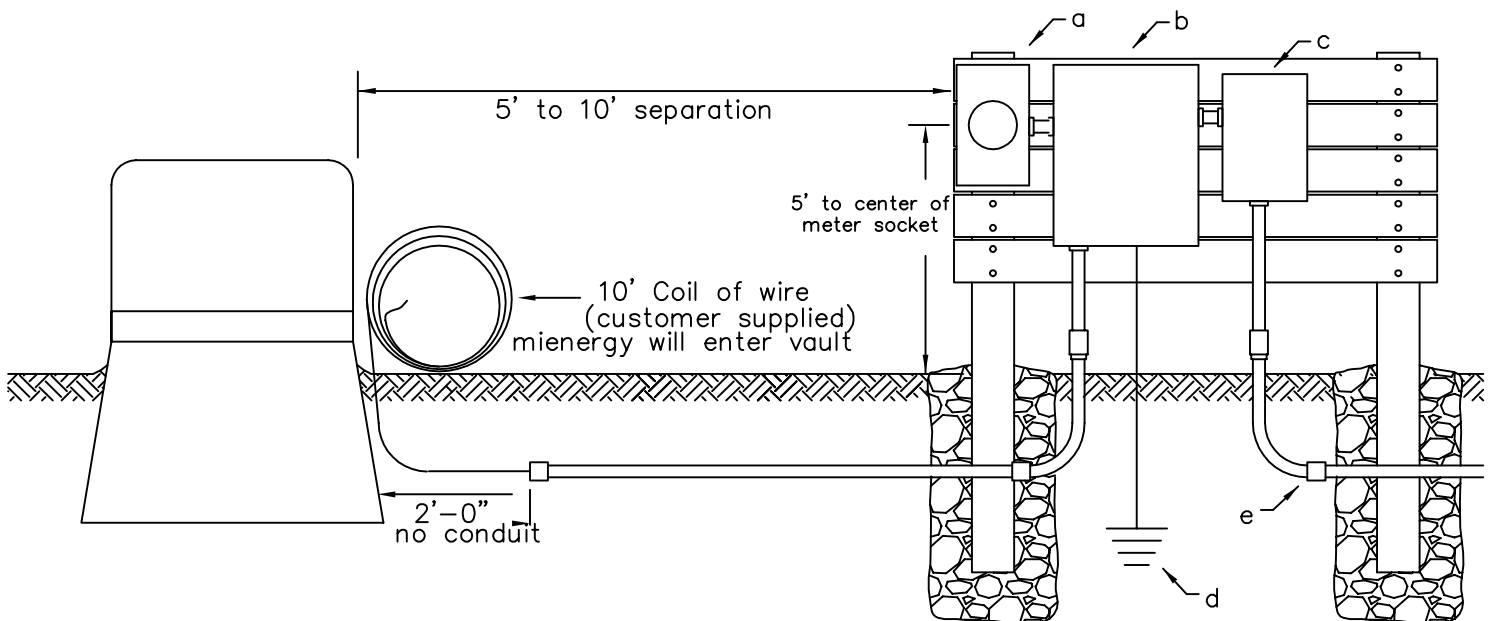


NOTES:

1. direct bury rated wire only
2. conduit optional
3. see associated drawing WPMS-1 or associated drawing SPMS-1



| | |
|------|---|
| ITEM | To be supplied and installed by contractor/homeowner: |
| a | Applicable meter socket |
| b | Applicable amp rated CT cabinet |
| c | Applicable amp rated over current disconnect |
| d | Grounding in accordance with NEC requirements |
| e | Source and load side wire in accordance with NEC requirements |



STANDARD FOR UNDERGROUND SERVICE
FROM UNDERGROUND TRANSFORMER
400AMP OR GREATER

JAN 2020

BY: JDG

UGS-400-2