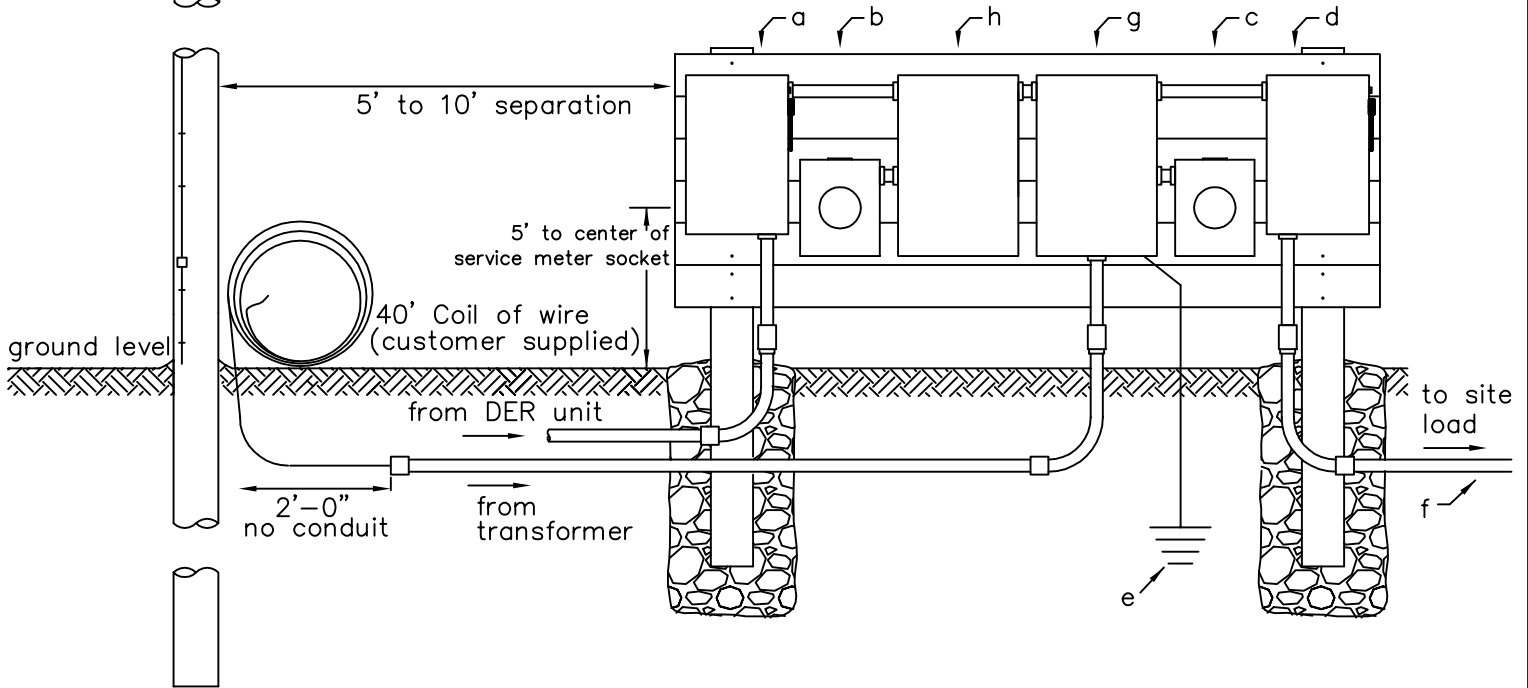
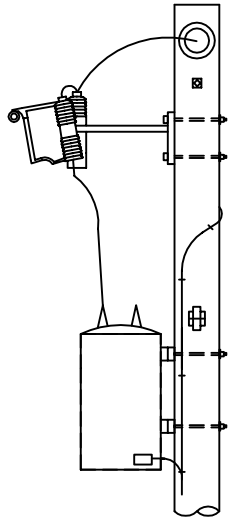


NOTES:

1. direct bury rated wire only
2. conduit optional
3. see associated drawing WPMS-1 or associated drawing SPMS-1
4. DER CT meter on load side of CT cabinet. Service CT meter on line side of CT cabinet.
5. Utility disconnect (a) must be: lockable, visibly open (knife-blade), accessible (outside)
6. All equipment to be applicably amp rated



ITEM	To be supplied and installed by contractor/homeowner:
a	DER fused disconnect
b	DER CT meter socket
c	Service CT meter socket
d	Fused disconnect
e	Grounding in accordance with NEC requirements
f	Source and load side wire in accordance with NEC requirements
g	Service CT meter cabinet
h	DER CT meter cabinet

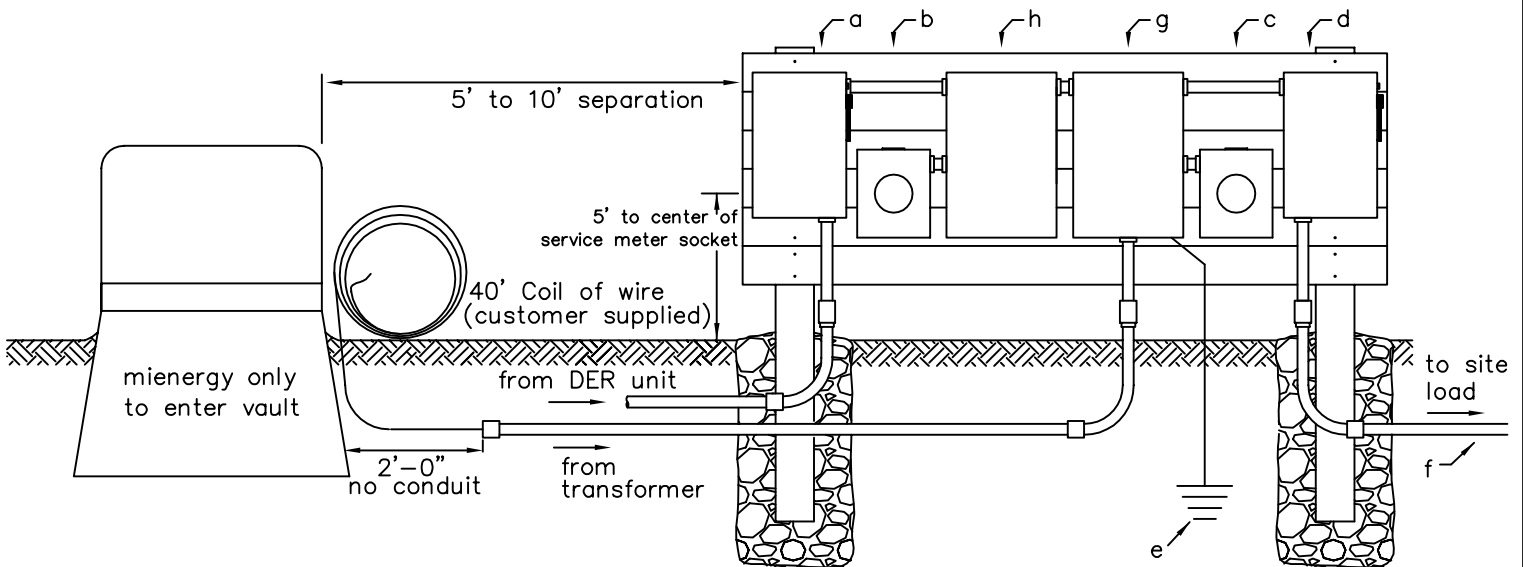


DER SERVICE FROM OVERHEAD TRANSFORMER
POINT OF CONNECTION CT SERVICE
320AMP to 4,000AMP

JANUARY 2023	BY: JDG	DER-UGS-CT2-1
--------------	---------	---------------

NOTES:

1. direct bury rated wire only
2. conduit optional
3. see associated drawing WPMS-1 or associated drawing SPMS-1
4. DER CT meter on load side of CT cabinet.
Service CT meter on line side of CT cabinet.
5. Utility disconnect (a) must be:
lockable
visibly open (knife-blade)
accessible (outside)
6. All equipment to be applicably amp rated



ITEM	To be supplied and installed by contractor/homeowner:
a	DER fused disconnect
b	DER CT meter socket
c	Service CT meter socket
d	Fused disconnect
e	Grounding in accordance with NEC requirements
f	Source and load side wire in accordance with NEC requirements
g	Service CT meter cabinet
h	DER CT meter cabinet



DER SERVICE FROM UNDERGROUND TRANSFORMER
 POINT OF CONNECTION CT SERVICE
 320AMP to 4,000AMP
 JANUARY 2023 BY: JDG DER-UGS-CT2-2